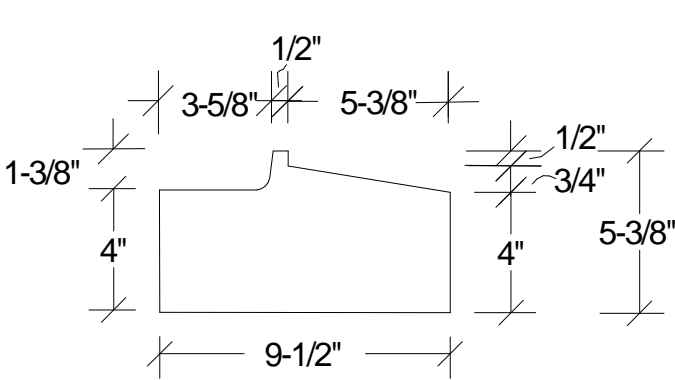
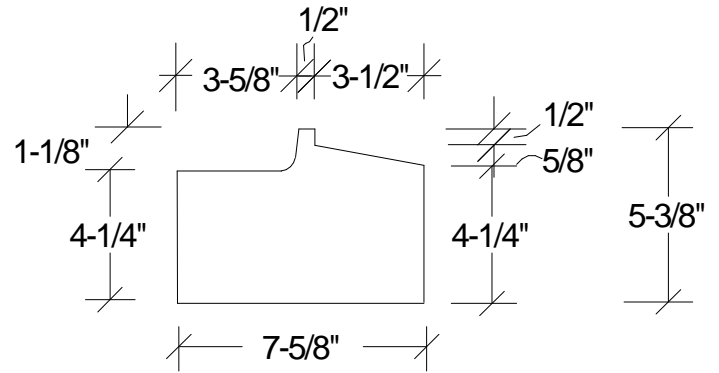




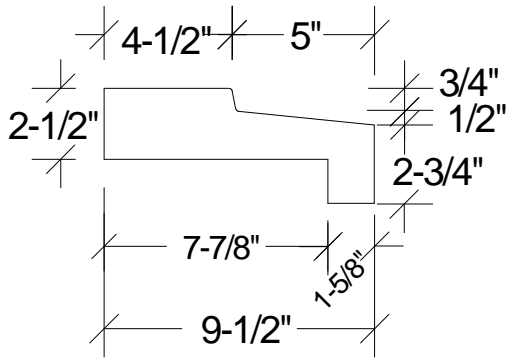
# Precast Concrete Window Sills



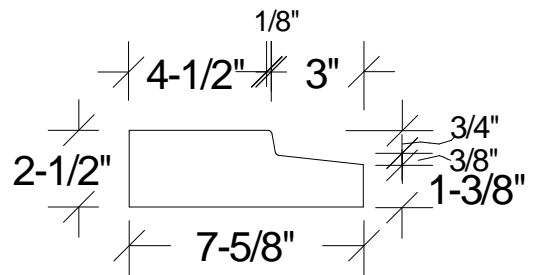
CAST (THICK) TWT SILL



CAST (THICK) TWT FLUSH SILL



HURRICANE RESISTANT SILL



HURRICANE RESISTANT FLUSH SILL

## AVAILABLE LENGTHS

19"
26-1/2"
37"
48"
53"
74"